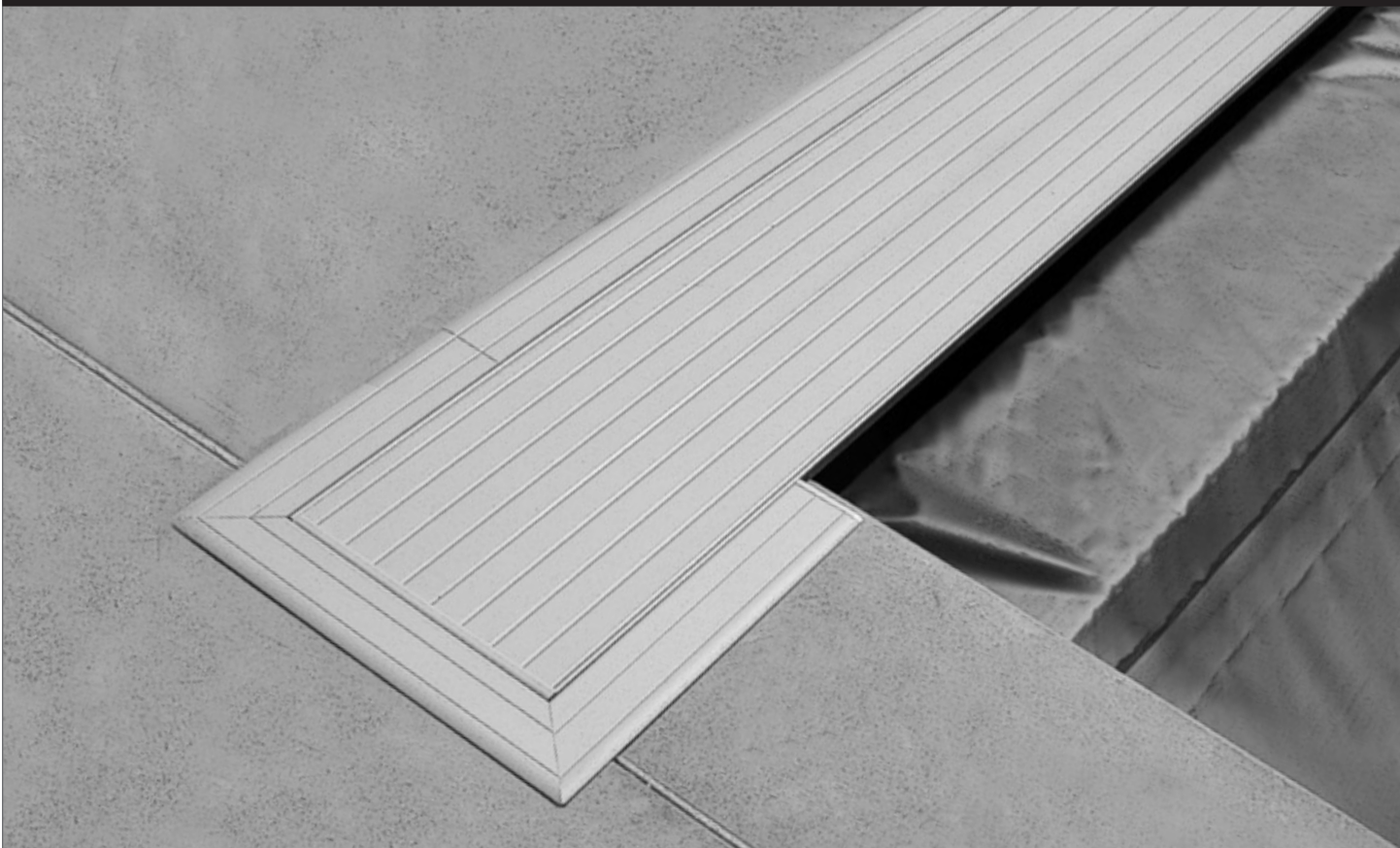


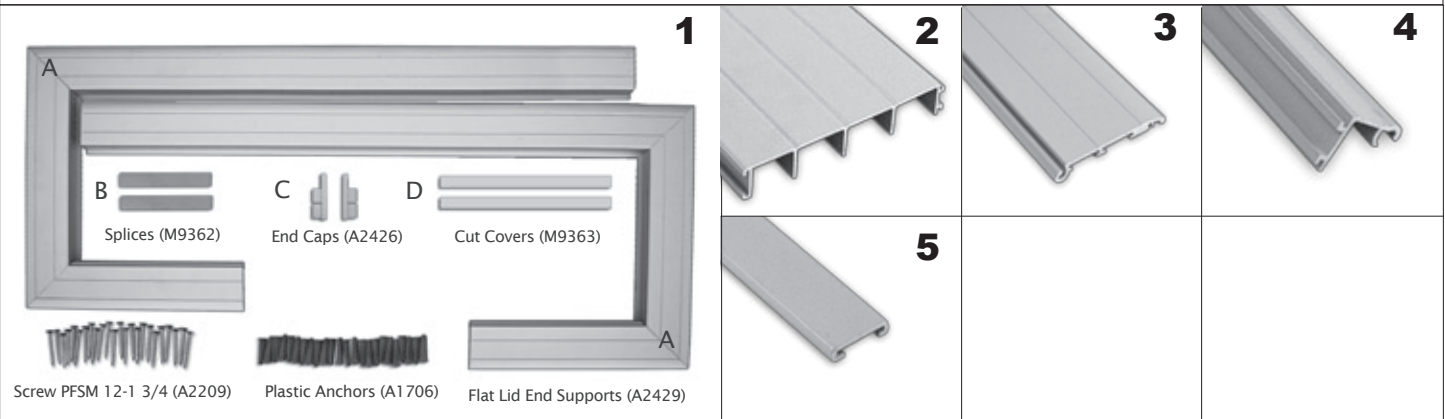
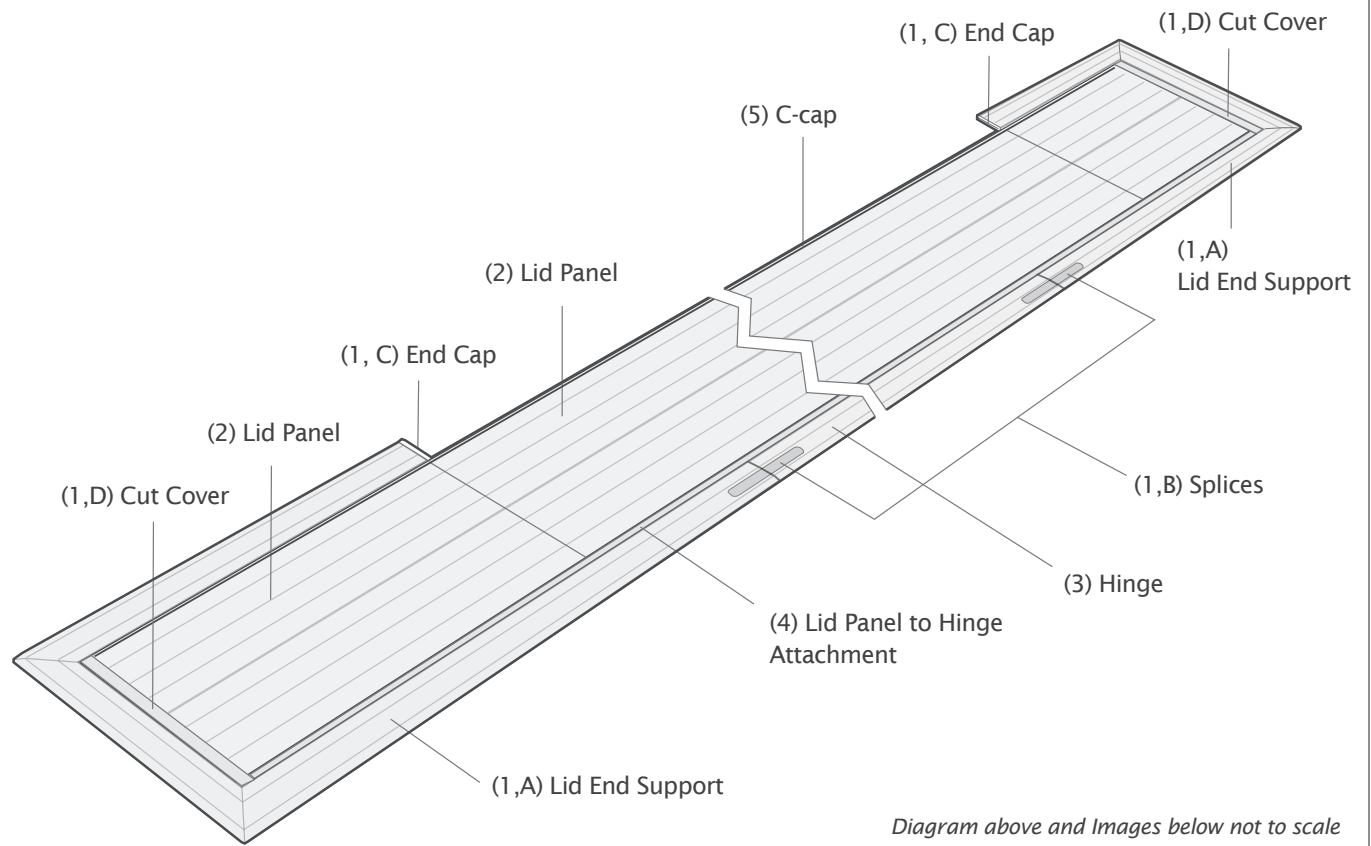
309 Flat Lid Installation Guide

UNDERGUIDE SYSTEMS

Diagram & Parts 2

Installing the 309 Flat Lid 3-4

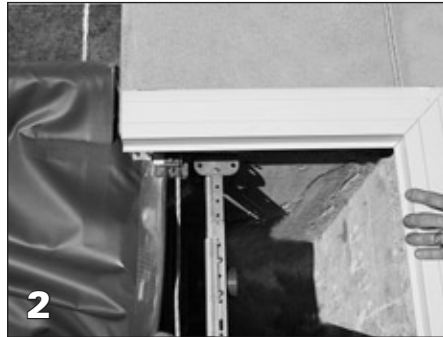




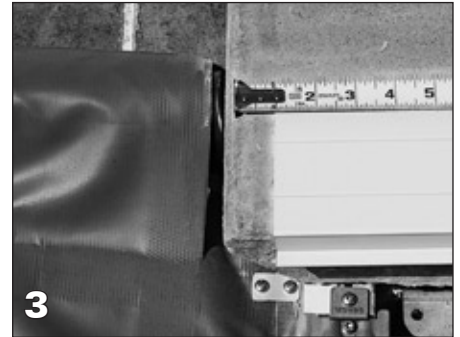
Assembly	Part#	Qty	Description
A2433	Lid kit - Flat lid 309 for UG 14 in box (NO Brackets, order separately)		
1.	A2454	1	Flat Lid 309 End Support Assembly SET and system hardware kit
2.	X0048	2	Lid Panel Flush (1 in by 6 in) 24 ft length
3.	X0939	1	Flat Lid 309 Hinge, 22 ft length
4.	X0940	1	Flat Lid 309 Lid Panel to Hinge Attachment, 24 ft
5.	X0053	1	Metal Box C-Cap



Attach the brackets of your choice (ordered separately) to the back wall of the housing 1 in below the top of deck.



Set the lid end supports (A2429) in the ends of the housing in order to get an accurate measurement for the lid panels.



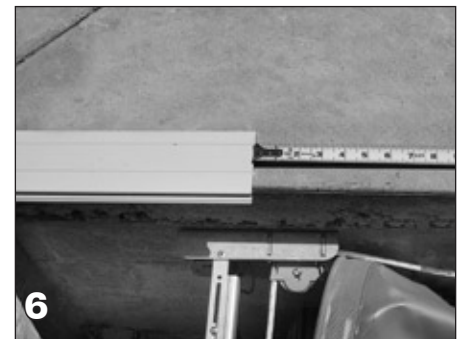
Mark and cut the front side of the lid end supports leaving at least 1 in of flat surface between the coping edge and the lid end support.



Insert the end caps (A2426) to the lid end supports.



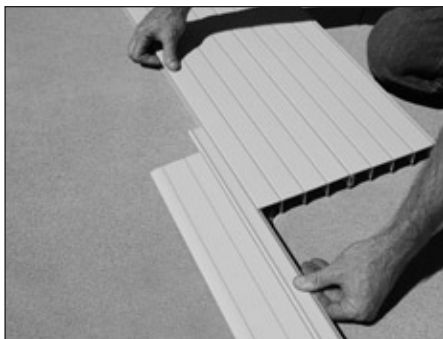
Measure and cut the lid panels (X0048), C-cap (X0053), and hinge attachment (X0940) approximately 1/4 in shorter than the actual width to the inside of the lid end supports. This allows the cut cover to attach to the ends of the lid panels to cover any cuts.



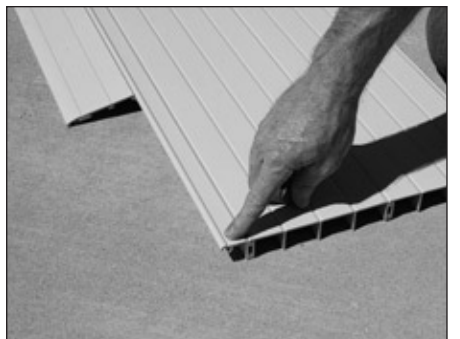
Measure and cut the lid hinge (X0939). Measure from one lid end support to the other.



Slide the lid panels (X0048) and C-cap (X0053) together.



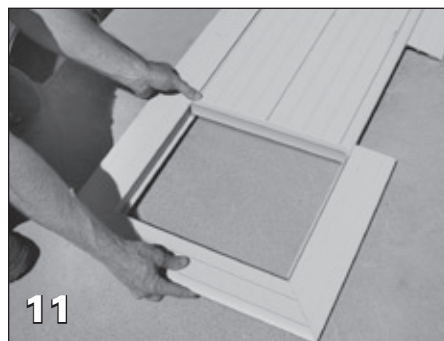
Slide the hinge attachment and lid hinge onto the lid.



The hinge attachment should be flush with the end of the lid and the lid hinge is offset from the end.



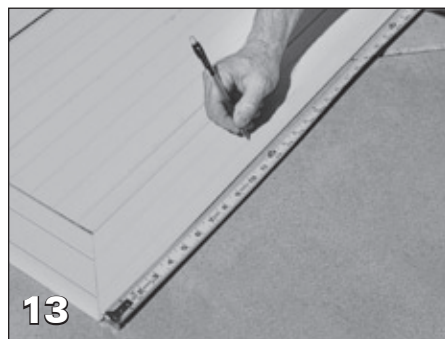
10
Attach the cut cover pieces (M9363) to both sides of the lid.



11
Slide the lid end support frame onto the hinge.



12
Insert the lid hinge splices (M9362) between each section of the lid end support and lid hinge then slide them tightly together.



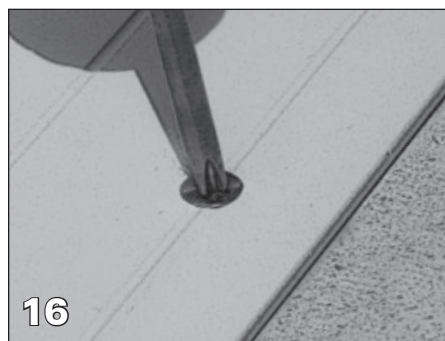
13
With the lid completely assembled, set it over the housing. Now mark and drill holes through the lid hinge approximately every 18 inches. Drill the holes into the deck through the holes in the lid hinge



14
Remove the lid and hammer the plastic anchors (A1706) into the holes.



15
Countersink the drill holes in the hinge.



16
Place assembled lid over the housing and screw it into place using the 1 x 1 3/4 stainless steel screws (A2209).

